

New

CE

Pitot tube Type S



ISO 10780

(dynamic pressure)
(Bernoulli formula)
(m/s), (m3/h)

(HVAC)

가 (Purge Mode)

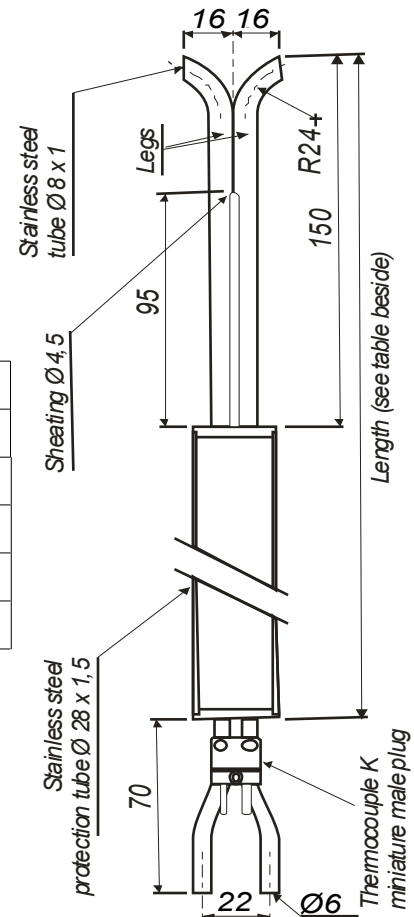
가

Features

- ISO 10780
- 0,84 ± 0,01
- Better than 4 %, for a ± 15° alignment to the fluid flow
- stainless steel 316 L
- 0 ~ 1000

Dimensions

Ø 8 mm	TPS-08-500-T-	500 mm
	TPS-08-1000-T	1000 mm
	TPS-08-1500-T	1500 mm
	TPS-08-2000-T	2000 mm
	TPS-08-2500-T	2500 mm
	TPS-08-3000-T	3000 mm



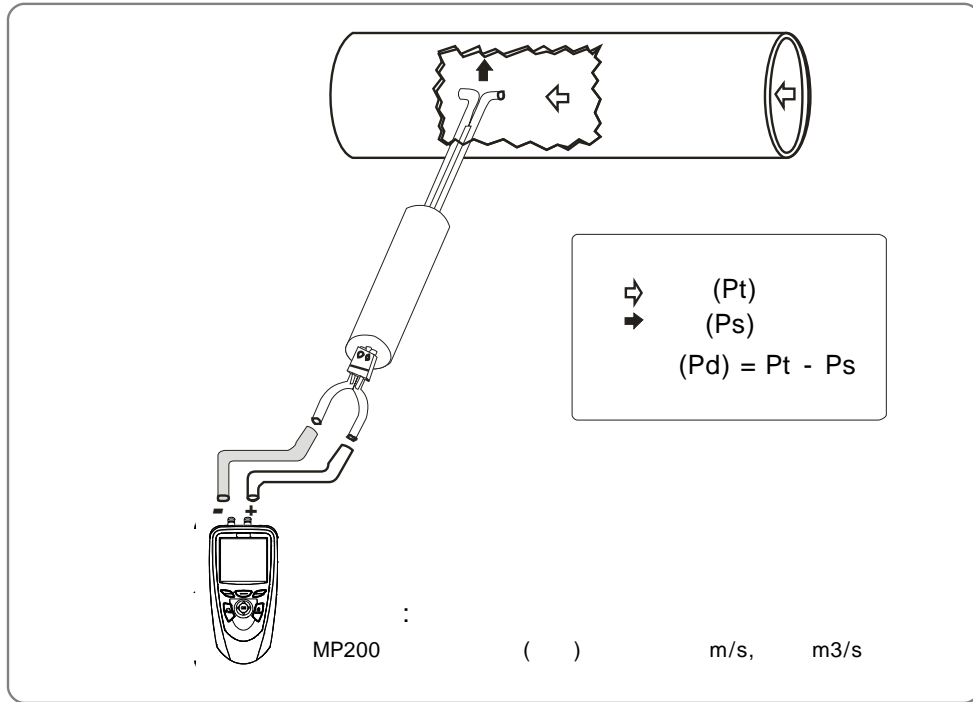
- ISO 10780 KIMO 3%
- ISO 10780

*
*
* S L
* S
(+), (-)

- (+) ()
- (-) ()

(dynamic pressure) = (total pressure) - (static pressure)

$$Pd = Pt - Ps$$



(Bernoulli formula)

* Pa, 20

$$V (m/s) = K \times \sqrt{\frac{2}{\delta} \times Pd}$$

*

$$V (m/s) = K \times \sqrt{\frac{574,2 \Theta + 156842,77}{Po}} \times \sqrt{Pd}$$

V = (m/s)
 Pd = ()
 Po = (Pa)
 = ()
 K =
 δ =

• Class 1 K

